

EN-US

LR 1130.1

LR 1002.04.08
www.liebherr.com

LIEBHERR

Crawler cranes

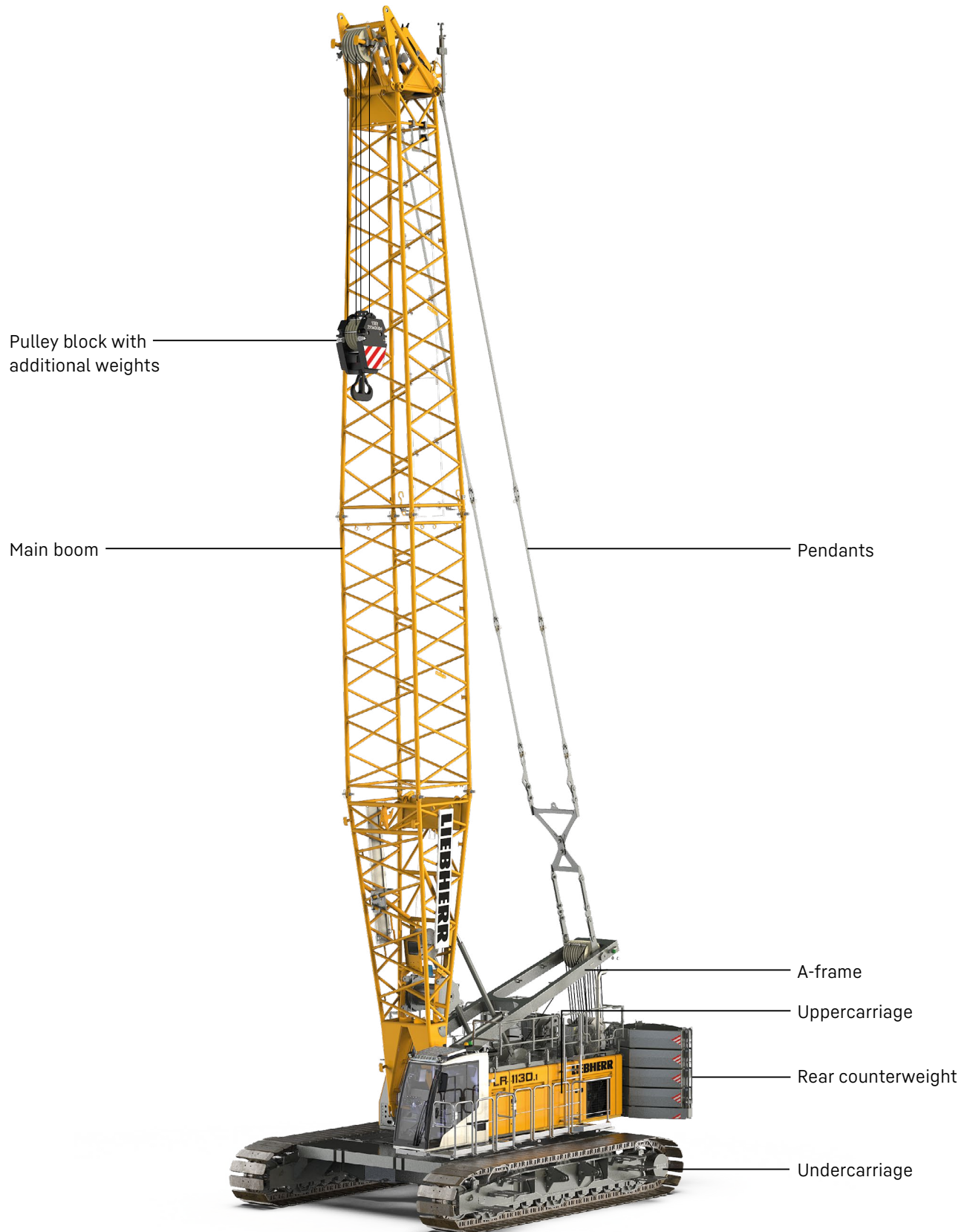


Concept and characteristics	3
Technical description	6
Dimensions	8
Transport dimensions and weights	9
Self-assembly system	12
Boom combinations	14
Main boom 2017.xx	16
Luffing jib 1309.xx	18
Fixed jib 0806.xx	24

Remarks

- The load capacities stated are valid for lifting operation only (corresponding with crane classification according to ISO 4301-1, crane group A1).
- Machine is standing on firm, horizontal ground.
- The weight of the lifting device (pulley block, hoist ropes, shackles, etc.) must be deducted from the load capacity.
- Additional equipment on boom (e.g. walkways) must be deducted from the load capacity.
- The max. admissible wind speed can be preselected in the LML software and referred to in the load chart.
- Working radii are measured from centre of swing ring and under load.
- The lifting capacities are valid for 360 degrees of swing.
- Calculation of stability under load is based on ANSI/ASME B 30.5 load ratings as well as ISO 4305 Table 2 and tested according to SAE J765 and SAE J987.
- Weights may vary depending on the delivered configuration of the machine, filling level of the tanks, as well as generally valid tolerances.
- The illustrations in this brochure may include options which are not within the standard scope of supply of the machine.

Concept and characteristics



Cabin with high comfort
- optimized view
- noise-reducing design
- orthopaedic seat

Additional
safety platform

Carbody counterweight 22,000 lbs

Crawler side frames with
3'3" flat track pads

Platforms



High performance

A strong, efficient and reliable diesel engine of the newest generation provides high performance and enables several movements to be carried out simultaneously.

Ground pressure

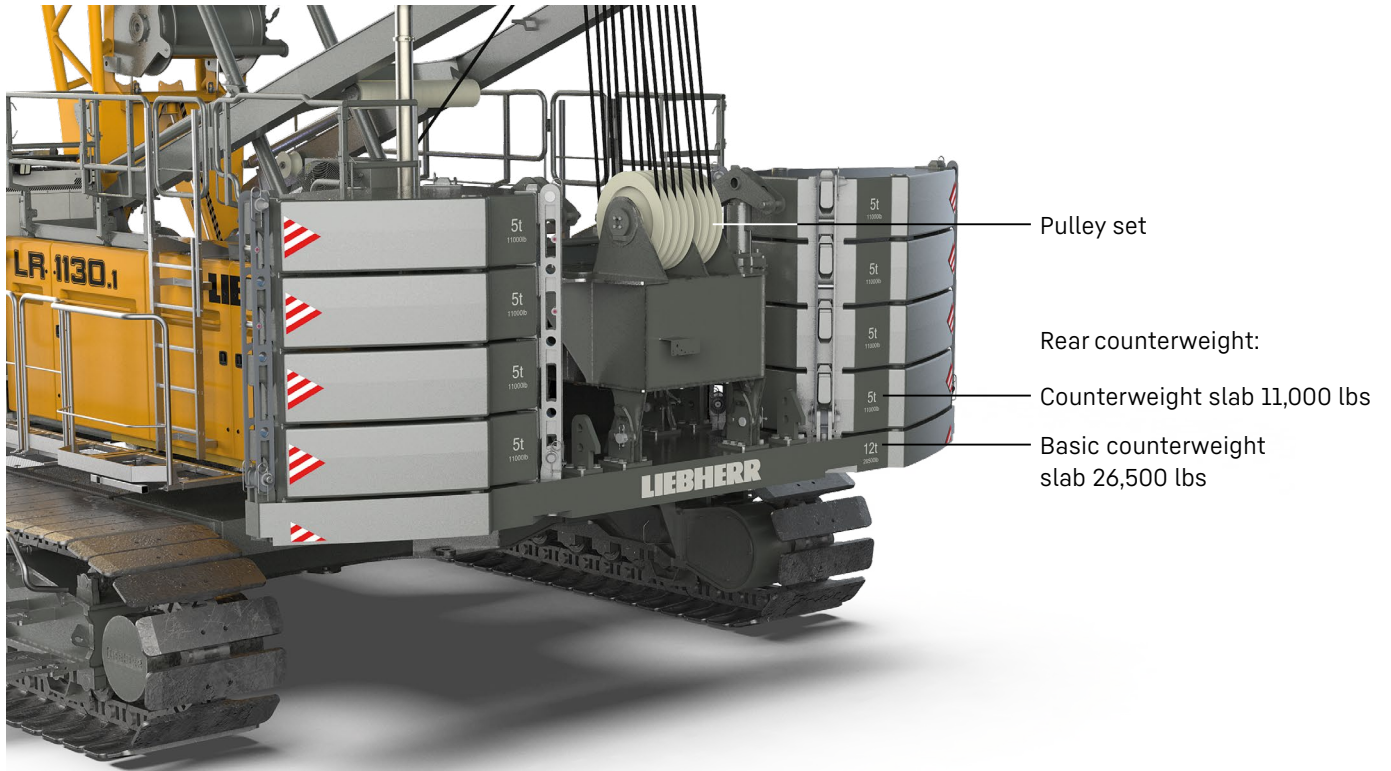
The actual ground pressure is calculated according to the configuration and position of the machine and displayed in the operator's cabin. Using the optional Liebherr Crane-Planner the actual ground pressure can already be calculated and displayed in the planning stage.

Cabin with high comfort

Optimised field of vision combined with enhanced comfort: an orthopaedic operator's seat with heating and cooling functions, as well as precise and ergonomic controls are included.

Control

Easy and intuitive handling of control, service and machine functions through a large, clear colour monitor. Built for extreme environmental conditions.



Efficient self-assembly system and short assembly times

The self-assembly system enables safe, independent and quick assembly/disassembly of the crawler side frames, the carbody and rear counterweights, as well as boom elements.

Mobility

Crane parts are optimized for transportation. The maximum transport width is 9.84 ft.

Easy service

The design ensures easy maintenance and service as well as safe access to the components.

Boom

A variety of boom systems and configurations allow for optimum operation on the most diverse jobsites.

Technical description



Diesel engine

Power rating according to ISO 9249	230 kW (308 hp) at 1700 rpm
Engine type	Liebherr D 944 A7-05
Fuel tank capacity	209 gal with continuous level indicator and reserve warning
Exhaust certification	97/68 EC Stage IV; EPA/CARB Tier 4f 97/68 EC Stage V; EPA/CARB Tier 4f ECE-R.96 Power Band H non-certified emission standard



Noise measurement data and vibration

Noise emission	according to 2000/14/EC directive
Emission sound pressure level L_{PA}	73.0 dB(A) (in the cabin)
Guaranteed sound power level L_{WA}	104 dB(A) (of the machine)
Vibration transmitted to the machine operator	< 8.20 ft/s ² (to the hand-arm system) < 1.64 ft/s ² (to the whole body)



Hydraulic system

Hydraulic pumps	double axial displacement pump in open loop hydraulic system allows all functions to be operated simultaneously automatic working pressure cut-off to minimize peak pressure
Hydraulic oil tank capacity	172 gal
Max. working pressure	5,076 PSI
Hydraulic oil	electronic monitoring of alle filters use of synthetic environmentally friendly oil



Control

Control system	includes all control and monitoring functions, designed to withstand extreme environmental conditions and heavy construction tasks
Display	high resolution monitor in the operator's cabin, clear display of complete machine operating data, warnings and failure indications in the required language
Operation	several movements can be performed simultaneously thanks to electro-hydraulic proportional control, all categories of loads can be positioned with utmost precision



Crawlers

Drive system	with fixed axial piston hydraulic motors
Crawler side frames	maintenance-free, with hydraulic chain tensioning device
Brake	hydraulically released, spring-loaded multi-disc holding brake
Drive speed	0-1.305 mph
Flat track pads	width 3.3 ft



Swing gear

Drive system	with fixed axial piston hydraulic motors, planetary gearbox, pinion
Swing ring	roller bearing with external teeth
Brake	hydraulically released, spring-loaded multi-disc holding brake
Swing speed	0-3 rpm continuously variable
Speed control	both swing modes are possible - speed control or free swing for speed control: a multi-disc holding brake locks automatically at zero swing motion.



Hoisting gear

Standard crane winches 1 + 2	internal low-maintenance planetary gearbox in oil bath, load support by the hydraulic system, spring-loaded, multi-disc holding brake, pressure controlled, variable flow hydraulic motors for the main winches, full utilisation of engine power as the winch speed is automatically adjusted to suit the respective line pull
Line pull in the 7th layer	26,977 lbf
Rope diameter	26 mm
Drum diameter	1.9 ft
Rope speed	0-446 ft/min
Rope capacity in 7 layers	1604 ft
Option - winch with free fall	free fall: clutch and braking functions are provided by the service brake (low wear and maintenance-free multi-disc brake in compact design)



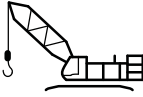




Boom/jib luffing winches

Main boom	
Line pull	max. 48,784 lbf
Rope diameter	24 mm
Boom luffing	15-86° in 96 s
Jib	
Line pull	max. 23,605 lbf
Rope diameter	20 mm
Jib luffing	15-78° in 46 s

Operating weight

Composition of operating weight	basic machine with crawlers winches 1 + 2, A-frame 56 ft main boom, consisting of boom foot (23 ft) and boom head (33 ft) 115,300 lbs rear counterweight (8 × 11,000 lbs + 1 × 26,500 lbs + 660 lbs) 44,100 lbs carbody counterweight (2 × 22,000 lbs) 352,700 lbs pulley block
Total weight	approx. 322,095 lbs

Operation modes

	 Lifting mode	 Grab mode	 Personnel lifting mode
 Land	✓	✓	✓
 Floating structure (barge operation)	✓	✓	✓ *

* only valid for jack-up barges

Optional equipment

Basic machine

Main winches 26,455 lbs with free fall
Painting in customer design
Load hook 27,560 / 88,100 / 176,300 / 220,400 / 352,700 lbs

Economy and ecology

Eco-Silent Package
Aux. power unit (APU, 2.8 kW)

Boom/jib

Luffing jib: luffing winch

Boom/jib other

Walkways for main boom sections 10 / 20 / 40 ft

Application packages

Operation mode: personnel lifting (O)
Operation mode: barge operation (O)
Operation mode: foundation work (O)
Operation mode: wind speed pre-selection (S)
Operation mode: travelling with load (S)

Winch synchronization

Radio remote control
Rope reeving function via radio remote control

Assembly radio remote control

Use of luffing jib winch as auxiliary winch
Tagline winch 4,409 lbs free fall
Main winch constant tension for one winch
Two hook operation

Special features

Crane Planner 2.0
LiDAT

Self-assembly system

Jack-up system standard / telescopic
Self-assembly system counterweight
Self-assembly cylinder
Reeving winch

Service package

Refuelling pump diesel / AdBlue
Cold package -25 °C / -40 °C
Hydraulic oil bypass filter
Central lubrication swing ring bearings / outside
Liebherr hydraulic oil plus (longlife & bio)
Liebherr hydraulic oil plus arctic (longlife & bio)
Liebherr hydraulic oil plus arctic (longlife)

Safety features

Assistance system: Boom Up-and-Down Assistant
Assistance system: Horizontal Load Path
Assistance system: Vertical Line Finder
Assistance system: Ground Pressure Indication and Visualization
Rear and side view cameras
Winch camera
Zoom camera at boom head section
Platforms and railings on uppercarriage 1.9 ft
Additional access ladder for boom assembly
Railings on rooftop foldable
Railings for cabin platform
Vandalism cabin protection
Cabin protection roof, FOPS level 1
Lifting height indication for both hoist winches
Plug&Play diesel-hydraulic back-up unit 18.4 kW
Swing and boom radius limit device
Aircraft warning light
Swing warning light
Lightning rod
Mechanical angle display
Air intake shut-off valve
Access control

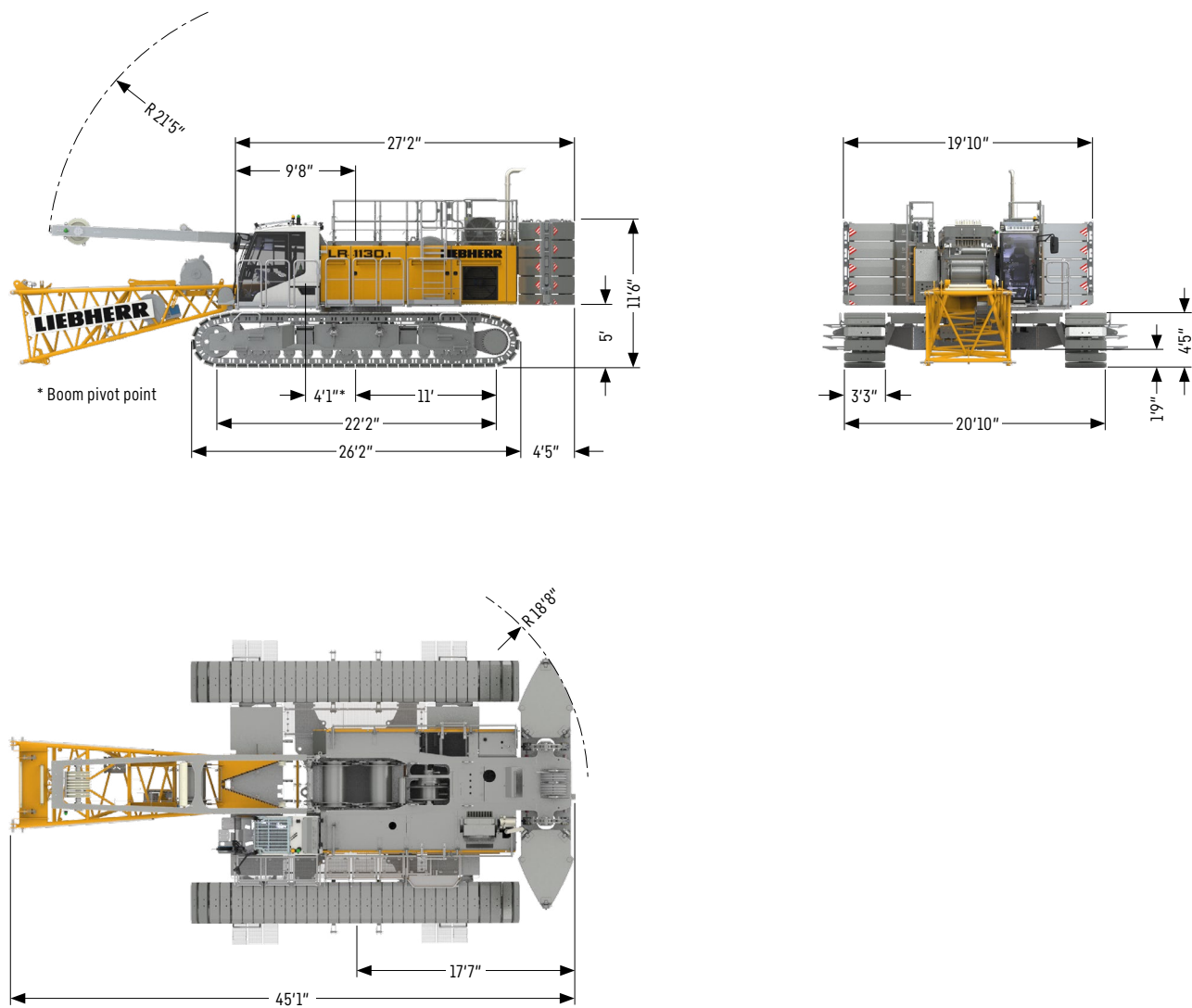
Operator's comfort

Additional access ladder
Additional floodlights
Cabin air conditioner
Cabin tilting device hydraulic
Gear oil level warning
Litronic additional language
Storage box for tools (crawler side frame)

(S) standard, (O) option

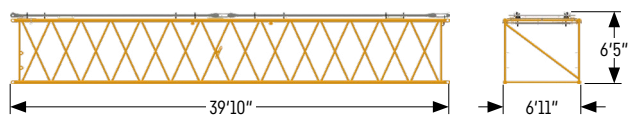
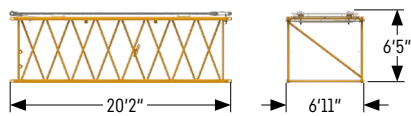
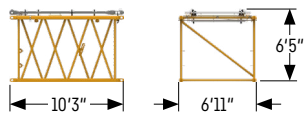
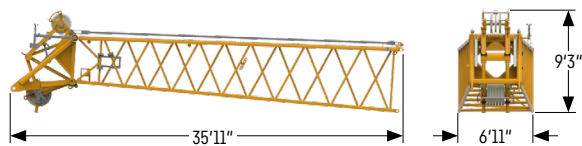
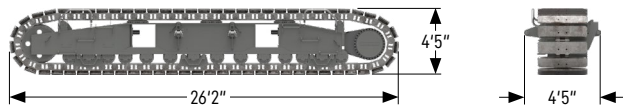
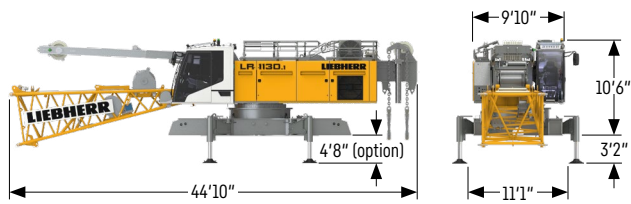
Dimensions

Basic machine with undercarriage



Transport dimensions and weights

Basic machine and boom 2017.xx



Basic machine

Weight without hoist rope	lbs	73,634
Weight of hoist ropes	lbs/ft	2.28
with A-frame 1, winches 1 + 2 (2x 26,977 lbf), with boom foot, without rear counterweight, without carbody counterweight and crawler side frames		

Crawler side frame

Weight flat track pads 3.3 ft	lbs	35,274
-------------------------------	-----	--------

Boom head 33 ft (No. 2017.21)

Weight including boom pendants	lbs	6,614
--------------------------------	-----	-------

Boom section 10 ft (No. 2017.21)

Weight including boom pendants	lbs	1,257
Weight incl. boom and jib pendants	lbs	1,411

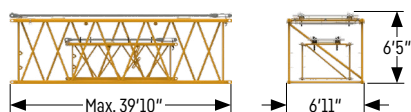
Boom section 20 ft (No. 2017.21)

Weight including boom pendants	lbs	2,050
Weight incl. boom and jib pendants	lbs	2,240

Boom section 40 ft (No. 2017.21)

Weight including boom pendants	lbs	3,649
Weight incl. boom and jib pendants	lbs	4,123

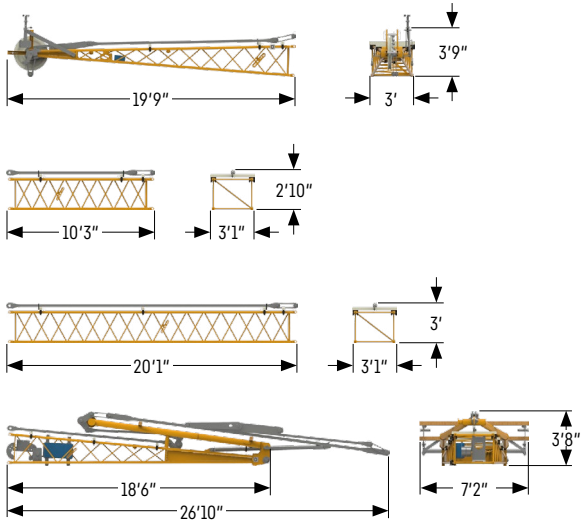
Transport option 2017.xx / 1309.xx



Transport option (No. 2017.xx / 1309.xx)

No. 2017.xx / 1309.xx	ft	20 / 20	40 / 38
Weight including pendants	lbs	3,483	6,239

Fixed jib 0806.xx



Jib head 18 ft (No. 0806.16)

Weight including pendants	lbs 974
---------------------------	---------

Jib section 10 ft (No. 0806.15)

Weight including pendants	lbs 311
---------------------------	---------

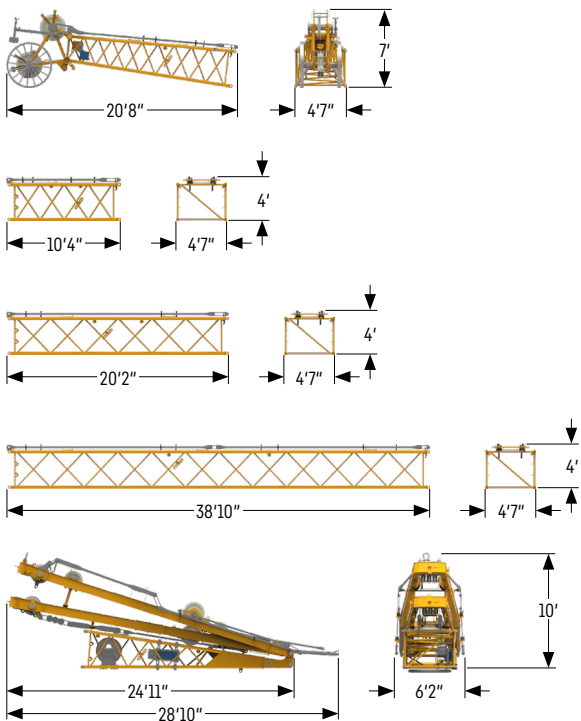
Jib section 20 ft (No. 0806.15)

Weight including pendants	lbs 549
---------------------------	---------

Jib foot 18 ft with A-frame (No. 0806.16)

Weight including pendants	lbs 2,474
---------------------------	-----------

Luffing jib 1309.xx



Jib head 18 ft (No. 1309.22)

Weight including pendants	lbs 2,485
---------------------------	-----------

Jib section 10 ft (No. 1309.20)

Weight including pendants	lbs 677
---------------------------	---------

Jib section 20 ft (No. 1309.20)

Weight including pendants	lbs 1,127
---------------------------	-----------

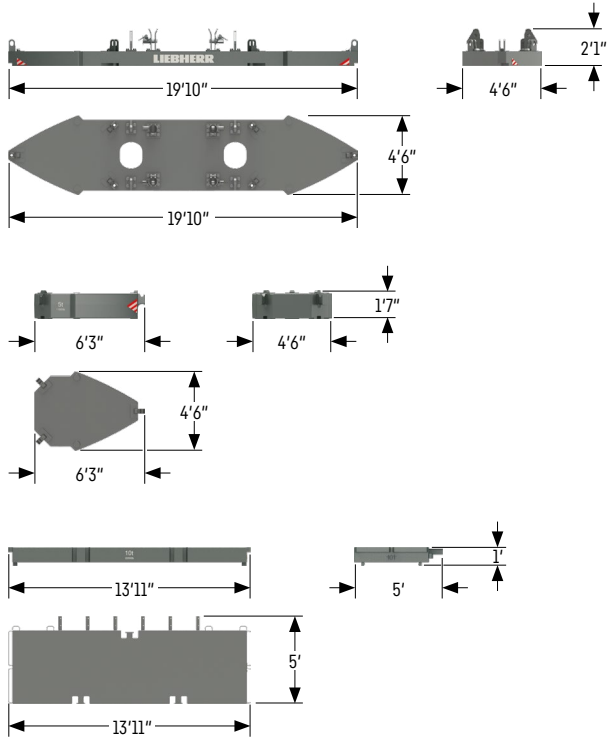
Jib section 38 ft (No. 1309.20)

Weight including pendants	lbs 2,075
---------------------------	-----------

Jib foot 18 ft with A-frames 2 + 3 (No. 1309.22)

Weight including pendants	lbs 9,905
---------------------------	-----------

Counterweight



Basic counterweight slab without tie-down (1x)

Weight	lbs 26,500
--------	------------

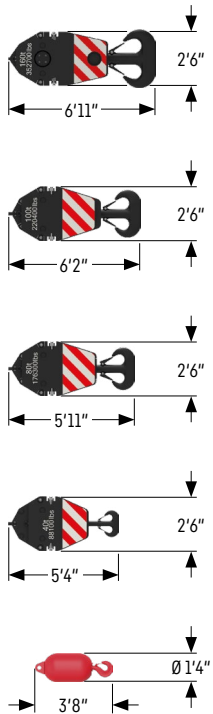
Counterweight slab (8x)

Weight	lbs 11,000
--------	------------

Carbody counterweight (2x)

Weight	lbs 22,000
--------	------------

Pulley block with additional weights / load hooks



352,700 lbs pulley block - 7 pulleys

Width	2'11"
Weight	lbs 3,307 / 4,960 / 6,614

220,400 lbs pulley block - 5 pulleys

Width	2'5"
Weight	lbs 2,866 / 3,968 / 5,071

176,300 lbs pulley block - 3 pulleys

Width	1'10"
Weight	lbs 2,205 / 3,307 / 4,409

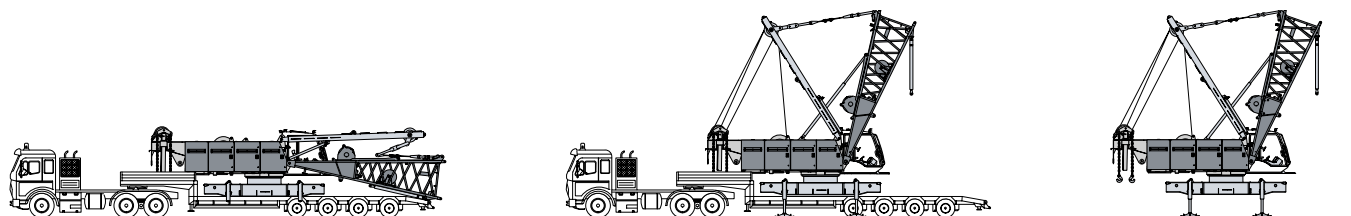
88,100 lbs pulley block - 1 pulley

Width	1'7"
Weight	lbs 1,543 / 2,425 / 3,307

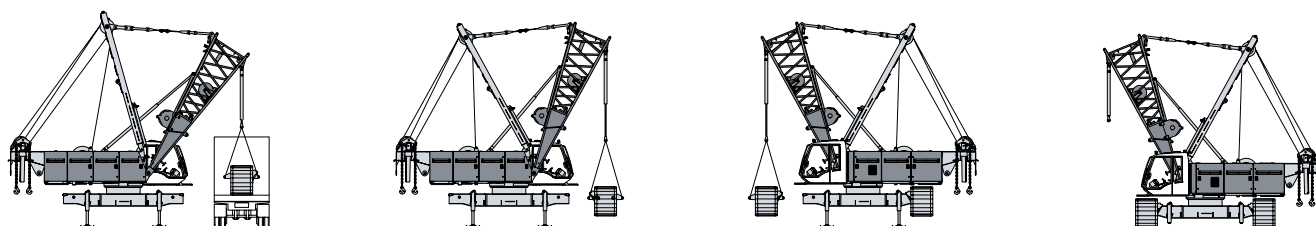
27,560 lbs load hook

Weight	lbs 1,323
--------	-----------

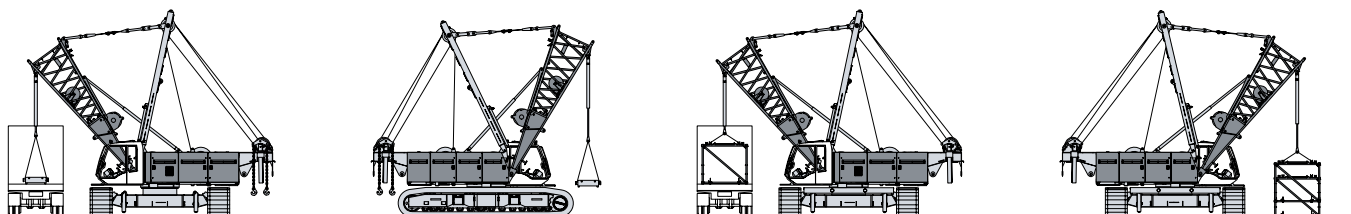
Self-assembly system



Unloading of basic machine

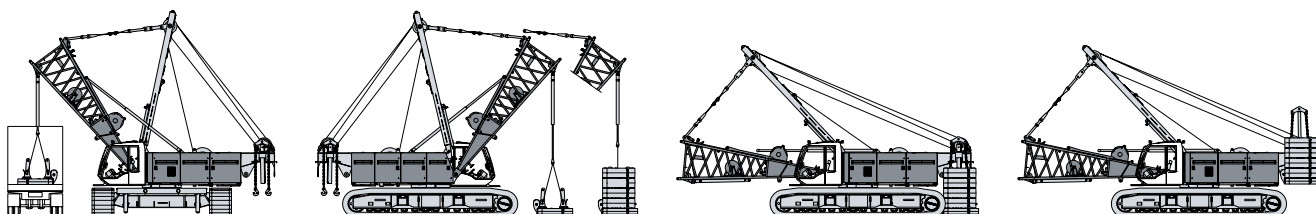


Unloading and assembly of crawler side frames



Unloading and assembly of carbody counterweight

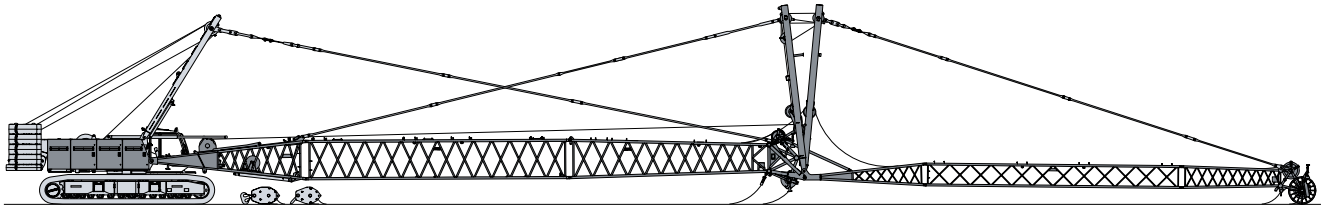
Unloading and assembly of boom



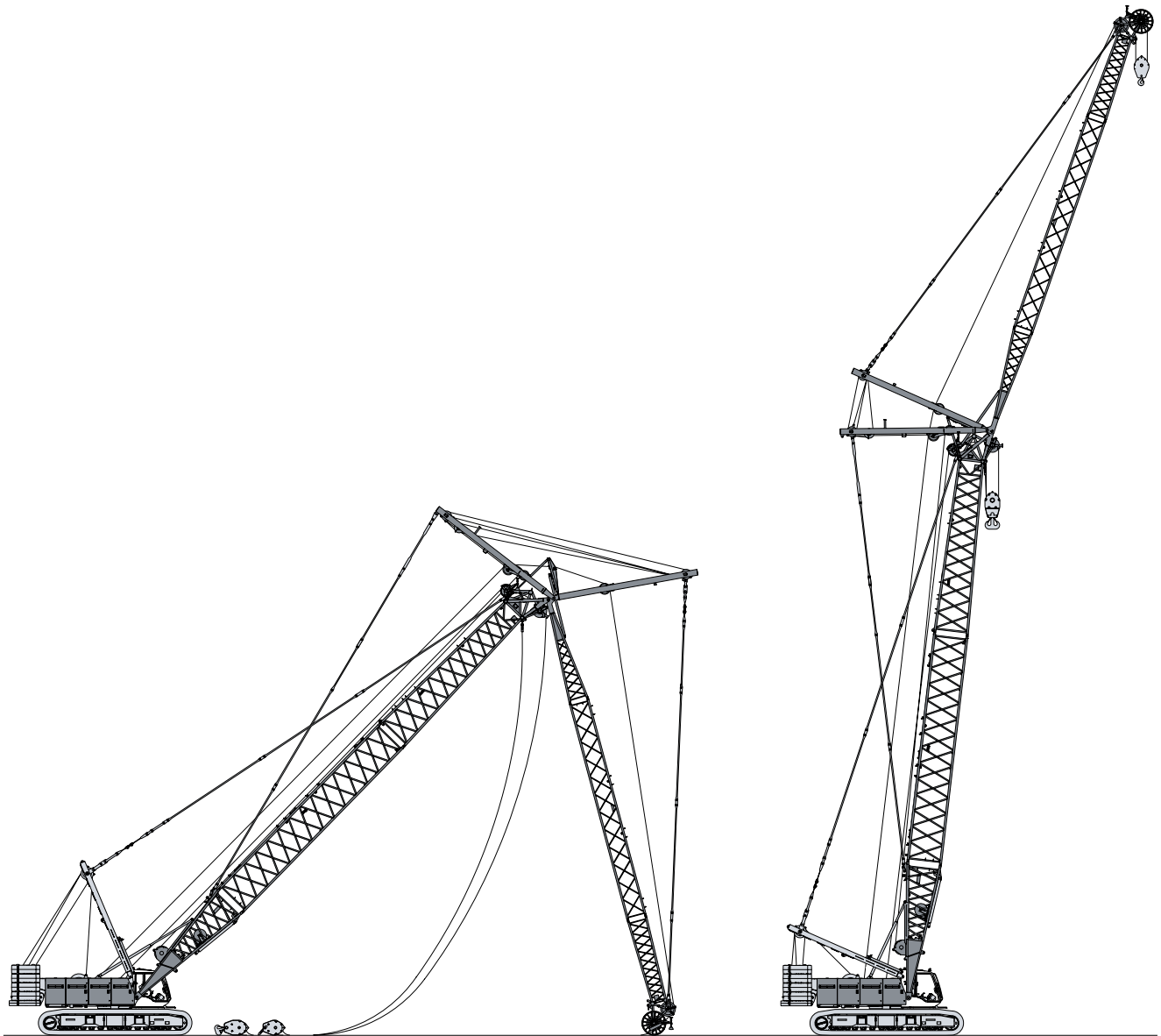
Unloading and assembly of rear counterweight



Assembly of boom

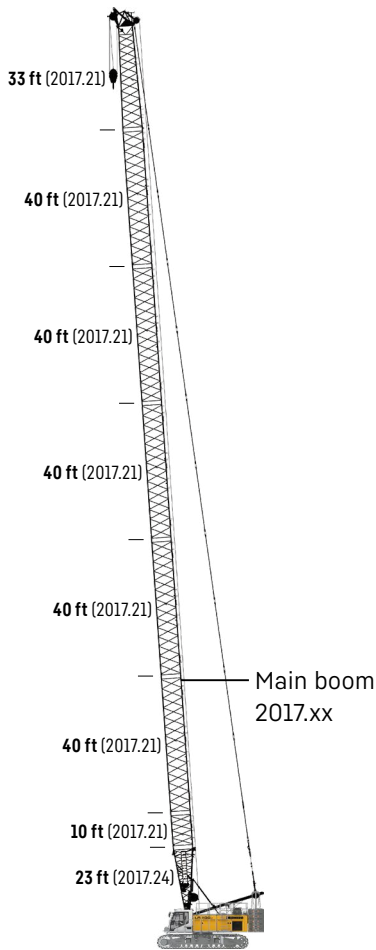


Reeving of hoist and luffing jib ropes



Erecting of main boom and luffing jib

Boom combinations



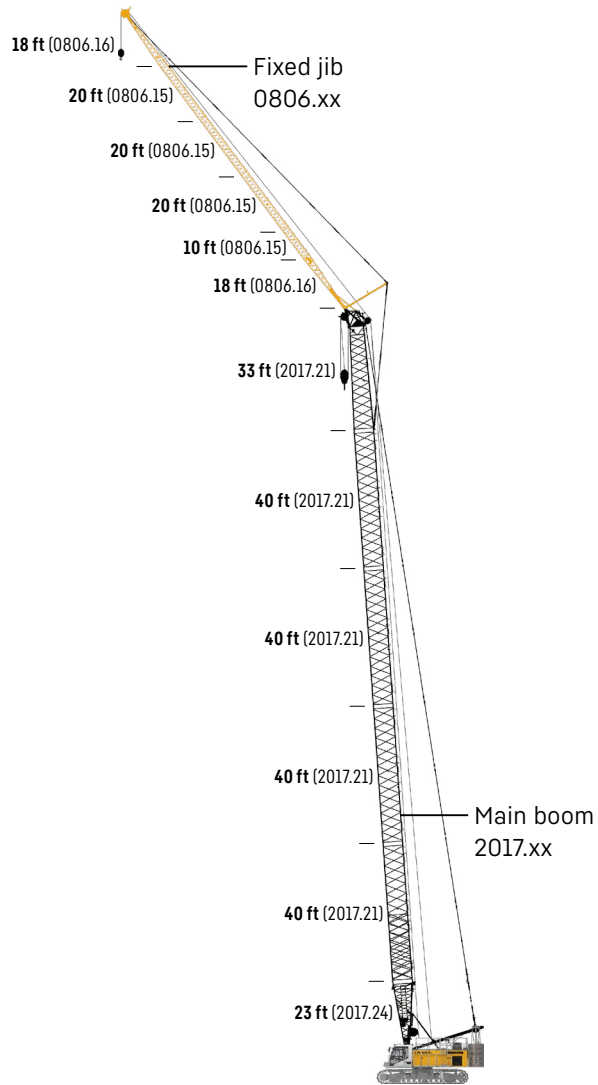
Main boom

Mode 1

Max. length

2017.xx ft 262

Further information on page 16.



Main boom + fixed jib

Mode 3

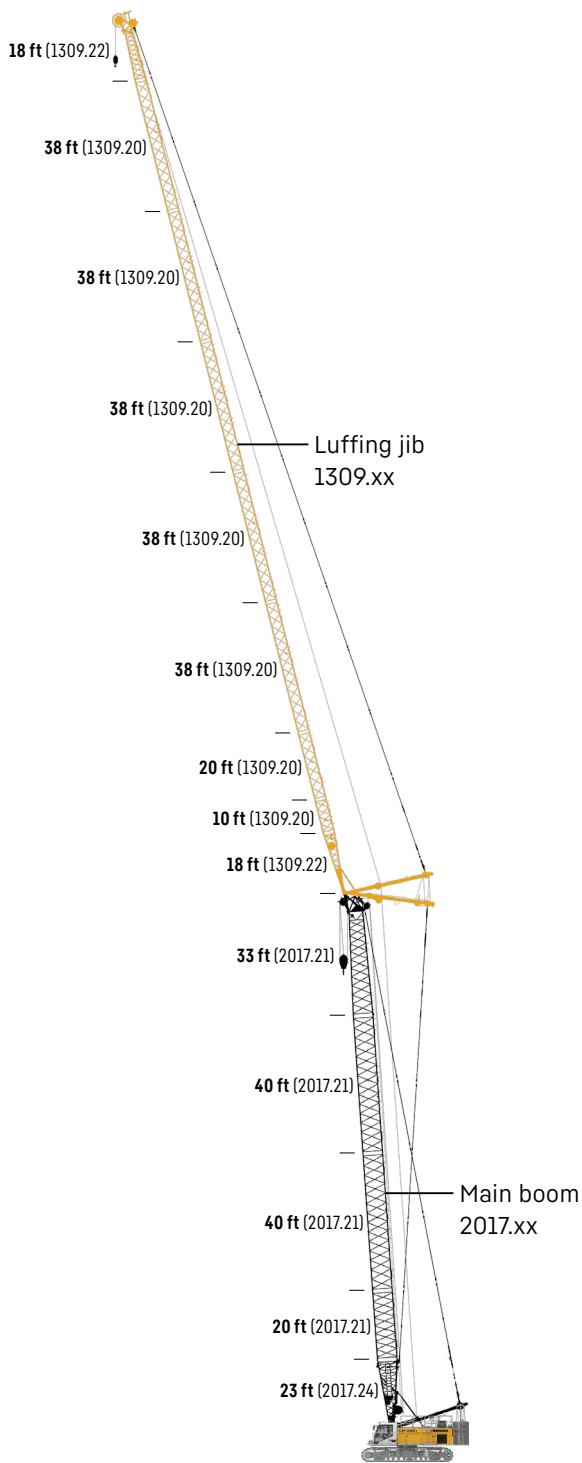
Max. combination

2017.xx ft 213 223

0806.xx ft 105 76

Total length ft 318 299

Further information on page 24.



Main boom + luffing jib

Mode 4

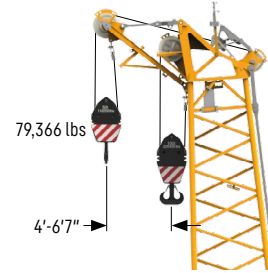
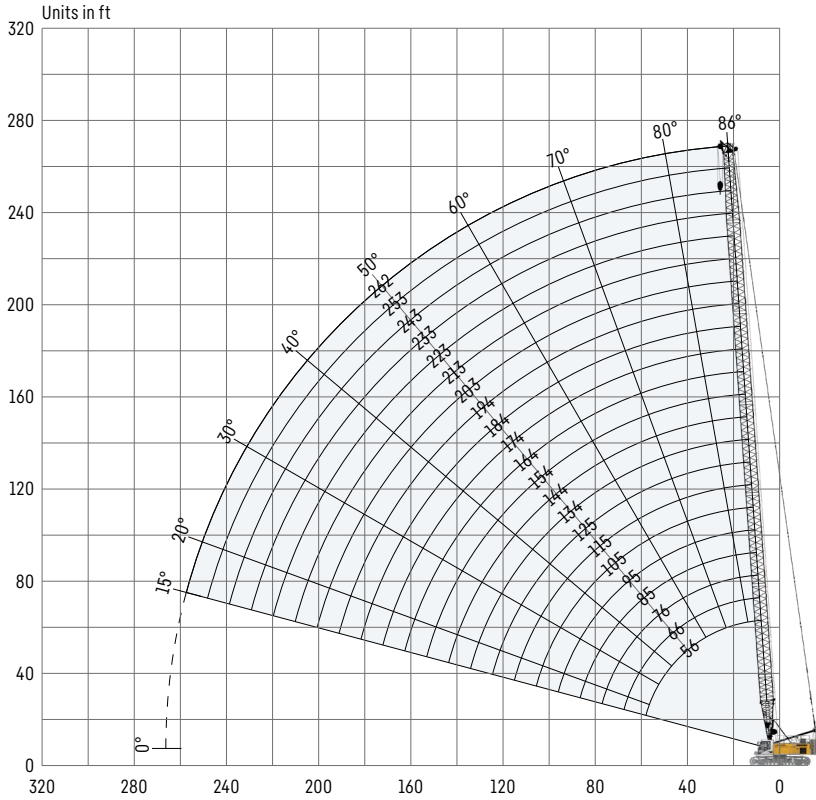
Max. combination

2017.xx	ft	154	174
1309.xx	ft	258	161
Total length	ft	412	335

Further information on page 18.

Main boom 2017.xx

Main boom lengths 56-262 ft



Auxiliary jib 79,366 lbs (option)

The maximum capacity of the auxiliary jib is 79,366 lbs. The corresponding load chart is programmed in the LML system.

Main boom configuration 2017.xx

Boom section	Amount of boom sections											
	1	1	1	1	1	1	1	1	1	1	1	1
Boom foot 23 ft	1					1		1		1		1
Boom section 10 ft		1			1		1		1		1	
Boom section 20 ft			1		1			1		1		1
Boom section 40 ft						1	1	1	1	2	2	2
Boom head 33 ft	1	1	1	1	1	1	1	1	1	1	1	1
Boom length [ft]	56	66	76	85	95	105	115	125	134	144	154	164
Auxiliary jib	✓	✓	✓	✓	✓	✓	✓	✓	✓	✓	✓	✓
Boom foot 23 ft	1	1	1	1	1	1	1	1	1	1	1	1
Boom section 10 ft	1			1	1		1		1			1
Boom section 20 ft	1				1				1		1	
Boom section 40 ft	2	3	3	3	3	4	4	4	4	5	5	5
Boom head 33 ft	1	1	1	1	1	1	1	1	1	1	1	1
Boom length [ft]	164	174	184	194	203	213	223	233	243	253	262	
Auxiliary jib	✓	✓	✓	✓	✓	✓	✓	✓	✓	✓	✓	✓

Actual lengths of boom sections are metric (e.g. 3m, 6m). The figures shown above are approximate conversions to feet.

Load capacities with main boom

Load capacities in 1000 lbs with 115,300 lbs rear counterweight and 44,100 lbs carbody counterweight

Radius [ft]	Boom length [ft]												
	56	66	85	105	125	144	164	184	203	223	233	253	262
12		302.5											
20	222.2	221.6	209.6	189.6	163.3	140.4	119.8						
30	150.5	149.4	146.7	144.3	136.2	118.4	107.3	95.8	80.8	66.9	61.8	52.2	46.3
40	103.7	103.8	103.7	103.6	103.3	99.0	95.7	89.8	76.3	63.2	58.6	49.9	44.3
50	76.5	76.7	76.6	76.5	76.1	75.8	75.4	75.0	70.0	60.0	55.3	47.1	41.1
55	67.2	67.5	67.5	67.3	66.9	66.6	66.2	65.7	64.6	56.9	53.5	46.1	40.0
60		60.1	60.1	60.0	59.6	59.2	58.8	58.3	57.8	54.0	51.1	44.7	38.7
65		53.9	54.0	53.9	53.5	53.2	52.7	52.2	51.7	51.3	48.9	43.2	37.2
80			40.9	40.8	40.4	40.1	39.6	39.1	38.6	38.1	37.8	37.3	33.5
85			37.6	37.6	37.2	36.8	36.3	35.9	35.3	34.8	34.6	34.0	32.6
100				30.0	29.7	29.3	28.8	28.3	27.8	27.2	27.0	26.6	26.3
105				27.9	27.7	27.3	26.8	26.4	25.9	25.4	25.1	24.5	24.3
110					25.9	25.6	25.1	24.6	24.1	23.5	23.3	22.7	22.4
125					21.3	21.1	20.6	20.1	19.6	19.0	18.8	18.2	17.9
130						19.8	19.3	18.9	18.3	17.8	17.5	17.0	16.6
145						16.5	16.1	15.7	15.1	14.6	14.3	13.7	13.4
150							15.2	14.7	14.2	13.6	13.4	12.8	12.5
160							13.5	13.1	12.5	12.0	11.7	11.1	10.8
165								12.3	11.7	11.2	10.9	10.4	10.1
180								10.2	9.7	9.2	8.9	8.4	8.1
185									9.1	8.6	8.4	7.8	7.5
190									8.6	8.1	7.8	7.2	6.9
195									8.0	7.5	7.3	6.7	6.4
200									7.5	7.0	6.7	6.2	5.9
205										6.5	6.3	5.7	5.4
210										6.1	5.8	5.3	5.0
215										5.6	5.4	4.8	4.5
220										5.2	4.9	4.4	4.1
225											4.5	4.0	3.7
230											4.1	3.6	3.3
235												3.3	3.0
245												2.5	2.3
250												2.2	

TLT 11962420. Above load charts are for reference only. For actual lift duty please refer to load chart in operator's cabin or manual. Otherwise we recommend you to plan your lifting job using Crane Planner 2.0.

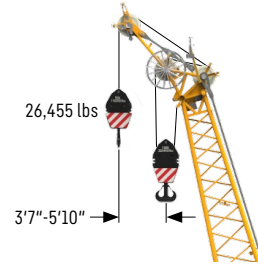
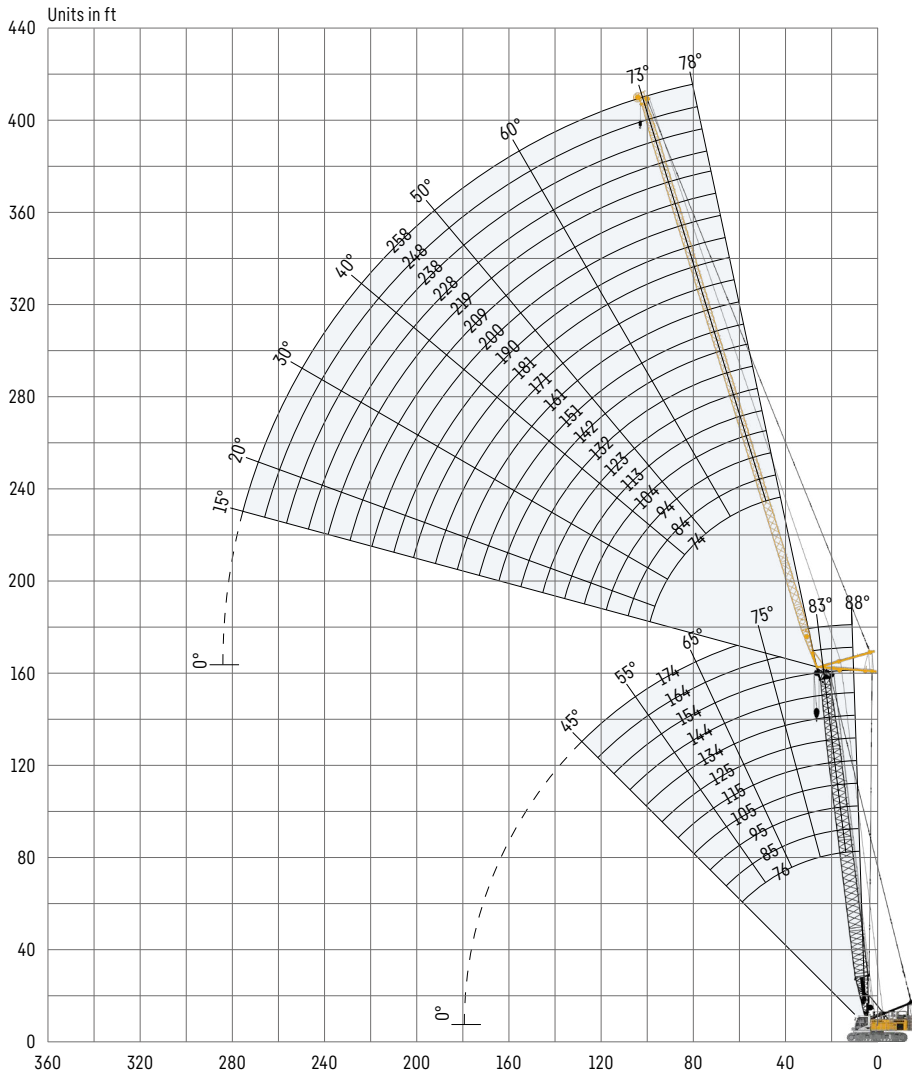


www.liebherr.com/CranePlanner

 **Crane Planner 2.0**

Luffing jib 1309.xx

Jib lengths 74-258 ft



Auxiliary jib 26,455 lbs (option)
 The maximum capacity of the auxiliary jib is 26,455 lbs.

Jib configuration 1309.xx

Jib section	Amount of jib sections																			
	1	1	1	1	1	1	1	1	1	1	1	1	1	1	1	1	1	1	1	1
Jib foot 18 ft	1	1	1	1	1	1	1	1	1	1	1	1	1	1	1	1	1	1	1	1
Jib section 10 ft		1		1		1		1		1		1		1		1		1		1
Jib section 20 ft			1	1			1	1			1	1			1	1			1	1
Jib section 38 ft	1	1	1	1	2	2	2	2	3	3	3	3	4	4	4	4	5	5	5	5
Jib head 18 ft	1	1	1	1	1	1	1	1	1	1	1	1	1	1	1	1	1	1	1	1
Jib length [ft]	74	84	94	104	113	123	132	142	151	161	171	181	190	200	209	219	228	238	248	258
Auxiliary jib	✓	✓	✓	✓	✓	✓	✓	✓	✓	✓	✓	✓	✓	✓	✓	✓	✓	✓	✓	✓

Actual lengths of boom sections are metric (e.g. 3 m, 6 m). The figures shown above are approximate conversions to feet.
 For main boom configuration please refer to the table on page 16.

Load capacities with luffing jib

Load capacities in 1000 lbs with 76 ft main boom 88°

Radius [ft]	Jib length [ft]					
	74	113	151	190	228	258
27	104.9					
40	86.2	68.1				
55	66.4	59.4	40.1	25.5		
60	61.9	56.0	39.0	24.8	15.6	
70	53.2	49.5	37.3	23.6	14.9	10.0
80	44.8	43.6	35.8	22.6	14.1	9.3
100		33.8	30.7	21.0	12.9	8.2
120		26.6	26.1	19.5	11.9	7.3
155			18.9	16.7	10.6	6.2
190				13.0	9.8	5.5
230					7.9	5.0
260						4.7

115,300 lbs rear counterweight and 44,100 lbs carbody counterweight

Load capacities in 1000 lbs with 125 ft main boom 88°

Radius [ft]	Jib length [ft]					
	74	113	151	190	228	258
28.7	77.4					
40	68.1	53.8				
55	55.6	48.4	33.9	22.3		
65	50.0	44.5	32.9	21.5	13.8	
70	47.6	42.8	32.2	21.1	13.5	9.2
80	42.9	39.3	30.5	20.5	12.9	8.7
100		33.8	27.3	19.0	11.9	7.7
120		27.6	24.1	17.9	11.1	6.9
155			18.6	15.9	9.9	5.8
195				10.3	9.1	5.1
230					7.9	4.7
260						4.3

115,300 lbs rear counterweight and 44,100 lbs carbody counterweight

Load capacities in 1000 lbs with 144 ft main boom 88°

Radius [ft]	Jib length [ft]					
	74	113	151	190	228	258
29.4	65.4					
40	58.3	45.9				
55	48.5	40.5	30.2	20.4		
65	43.9	37.1	29.4	19.7	13.1	
70	41.9	35.6	28.8	19.4	12.8	8.7
85	22.3	31.5	26.3	18.6	12.0	8.1
100		27.5	23.8	17.8	11.3	7.4
120		24.2	21.3	16.5	10.6	6.6
155			17.7	14.4	9.5	5.6
195				8.6	8.7	4.9
230					7.8	4.5
260						4.3

115,300 lbs rear counterweight and 44,100 lbs carbody counterweight

Load capacities in 1000 lbs with 164 ft main boom 88°

Radius [ft]	Jib length [ft]					
	74	113	142	171	200	228
30.1	56.8					
40	50.9	39.8				
50	45.7	36.9	29.4			
55	43.1	35.5	28.9	22.6		
60	41.1	33.8	28.1	22.2	16.6	
65	39.4	32.5	27.6	21.8	16.3	12.0
85	33.9	27.8	24.1	20.0	15.4	11.2
120		21.3	19.5	16.6	13.5	10.0
150			9.4	14.5	11.9	9.1
175				12.6	10.8	8.4
205					9.4	7.7
230						6.9

115,300 lbs rear counterweight and 44,100 lbs carbody counterweight

Load capacities in 1000 lbs with 174 ft main boom 88°

Radius [ft]	Jib length [ft]					
	74	94	113	132	151	161
30.4	51.7					
40	47.0	42.0	36.9			
50	42.4	38.1	34.3	29.9	25.6	23.3
60	38.1	34.8	31.5	28.2	24.6	22.7
70	35.0	31.6	29.2	26.1	23.6	21.8
85	31.0	28.3	25.9	23.5	21.3	19.9
105		13.3	22.8	20.7	18.7	17.6
120			19.6	19.1	17.3	16.2
130				17.6	16.4	15.4
140				15.9	15.7	14.7
160					8.7	13.2
170						7.7

115,300 lbs rear counterweight and 44,100 lbs carbody counterweight

TLT 11962420. Above load charts are for reference only. For actual lift duty please refer to load chart in operator's cabin or manual. Otherwise we recommend you to plan your lifting job using Crane Planner 2.0.



www.liebherr.com/CranePlanner

Crane Planner 2.0

Load capacities with luffing jib

Load capacities in 1000 lbs with 76 ft main boom 83°

Radius [ft]	Jib length [ft]					
	74	113	151	190	228	258
40	97.4					
55	71.2	64.9				
65	57.9	57.2	39.6			
75	48.6	47.9	37.8	23.8		
85	41.7	41.1	36.3	22.7	14.1	
95		35.9	34.1	21.8	13.5	8.7
105		31.7	31.0	21.1	13.0	8.3
115		28.3	27.6	20.3	12.4	7.8
160			18.0	17.0	10.6	6.2
200				12.4	9.7	5.4
235					8.0	4.9
265						4.7

115,300 lbs rear counterweight and 44,100 lbs carbody counterweight

Load capacities in 1000 lbs with 125 ft main boom 83°

Radius [ft]	Jib length [ft]					
	74	113	151	190	228	258
46	67.7					
60	57.1	49.6				
70	50.1	45.5	33.6			
80	43.9	42.0	32.3	21.0		
95	26.6	35.0	30.0	20.2	12.7	
100		32.8	29.1	19.8	12.4	8.0
115		27.6	26.7	18.9	11.7	7.5
130		23.6	22.9	17.9	11.1	6.9
170			12.8	15.2	9.9	5.7
205				11.5	9.2	5.1
240					8.0	4.7
270						4.5

115,300 lbs rear counterweight and 44,100 lbs carbody counterweight

Load capacities in 1000 lbs with 144 ft main boom 83°

Radius [ft]	Jib length [ft]					
	74	113	151	190	228	258
48.4	56.4					
60	49.5	41.2				
75	41.6	36.3	29.4			
85	37.8	33.1	27.7	19.5		
95	34.6	30.3	25.8	18.9	12.0	
105		28.1	24.2	18.1	11.6	7.6
120		25.3	22.0	17.1	11.0	7.1
135		15.0	20.0	15.9	10.5	6.5
170			15.7	13.7	9.5	5.6
205				11.3	8.6	5.0
245					6.6	4.5
275						4.3

115,300 lbs rear counterweight and 44,100 lbs carbody counterweight

Load capacities in 1000 lbs with 164 ft main boom 83°

Radius [ft]	Jib length [ft]					
	74	104	132	161	190	228
50.8	47.7					
60	43.3	37.2				
80	35.1	31.0	27.3	22.7		
90	32.6	28.1	25.1	21.4	17.3	
100	19.9	26.1	23.1	19.9	16.5	11.2
110		24.5	21.5	18.7	15.6	10.8
125		21.9	19.6	16.9	14.5	10.2
135			18.6	16.0	13.6	9.9
155			11.3	14.4	12.3	9.0
180				12.4	10.9	8.1
210					7.9	7.2
245						6.0

115,300 lbs rear counterweight and 44,100 lbs carbody counterweight

Load capacities in 1000 lbs with 174 ft main boom 83°

Radius [ft]	Jib length [ft]					
	74	94	113	132	151	161
52	43.3					
60	39.9	36.5				
70	35.4	32.5	30.1	26.7		
80	32.2	29.3	27.2	24.8	22.4	20.8
90	30.0	26.9	24.8	22.8	20.8	19.5
100	27.3	25.1	22.9	21.0	19.3	18.2
110		23.4	21.5	19.5	18.0	17.0
120		14.8	20.3	18.3	16.8	15.8
135			18.1	16.9	15.4	14.5
155				14.7	13.9	13.0
175					9.2	11.6
185						8.5

115,300 lbs rear counterweight and 44,100 lbs carbody counterweight

TLT 11962420. Above load charts are for reference only. For actual lift duty please refer to load chart in operator's cabin or manual. Otherwise we recommend you to plan your lifting job using Crane Planner 2.0.



www.liebherr.com/CranePlanner

Crane Planner 2.0

Load capacities with luffing jib

Load capacities in 1000 lbs with 76 ft main boom 75°

Radius [ft]	Jib length [ft]					
	74	113	151	190	228	258
60	53.0					
80	42.9	42.1				
95	34.8	34.1	33.2			
100	26.6	32.0	31.1			
110		28.4	27.6	21.2		
125		24.2	23.5	20.2	12.2	
140			20.3	19.2	11.7	7.1
170			15.5	14.8	10.5	6.2
180				13.6	10.3	5.9
210				10.7	9.7	5.3
225					8.8	5.1
275						4.8

115,300 lbs rear counterweight and 44,100 lbs carbody counterweight

Load capacities in 1000 lbs with 125 ft main boom 75°

Radius [ft]	Jib length [ft]					
	74	113	151	190	228	258
72.8	45.1					
90	34.8	33.9				
110	27.2	26.5	25.5			
125		22.5	21.6	18.4		
140		19.4	18.6	17.6	11.0	
155			16.2	15.3	10.6	6.5
185			12.6	11.8	9.7	5.7
200				10.4	9.2	5.4
220				8.9	8.0	5.1
240					6.8	4.8
260					5.7	4.5
290						3.7

115,300 lbs rear counterweight and 44,100 lbs carbody counterweight

Load capacities in 1000 lbs with 144 ft main boom 75°

Radius [ft]	Jib length [ft]					
	74	113	151	190	228	258
77.9	40.2					
95	31.6	30.6				
115	24.9	24.1	22.8			
130		20.6	19.7	15.9		
145		17.9	17.0	15.2	10.1	
155		16.3	15.5	14.4	9.9	
165			14.2	13.3	9.6	6.1
180			12.5	11.7	9.1	5.7
190			11.5	10.7	8.8	5.5
225				8.0	7.2	4.8
265					5.0	4.1
295						3.0

115,300 lbs rear counterweight and 44,100 lbs carbody counterweight

Load capacities in 1000 lbs with 164 ft main boom 75°

Radius [ft]	Jib length [ft]					
	74	113	142	171	200	228
83	32.6					
100	27.9	24.1				
115	24.0	21.4	19.1			
125		19.7	17.7	15.1		
140		17.5	15.7	14.0	11.5	
150		16.3	14.6	12.9	11.0	8.5
160		14.9	13.6	12.1	10.4	8.2
175			12.5	10.9	9.3	7.7
185			11.5	10.2	8.8	7.2
215				8.4	7.2	5.9
240					6.3	5.0
270						4.2

115,300 lbs rear counterweight and 44,100 lbs carbody counterweight

Load capacities in 1000 lbs with 174 ft main boom 75°

Radius [ft]	Jib length [ft]					
	74	94	113	132	151	161
85.5	28.3					
95	26.1	24.0				
105	23.6	22.1	20.6			
115	21.7	20.2	18.9	17.5		
125	20.0	18.3	17.2	16.1	14.9	13.9
135		17.3	15.9	14.8	13.8	13.0
145		16.0	14.8	13.7	12.7	12.1
160			13.7	12.2	11.3	10.8
170				11.7	10.5	10.0
180				11.1	9.9	9.3
200					8.9	8.4
205						8.2

115,300 lbs rear counterweight and 44,100 lbs carbody counterweight

TLT 11962420. Above load charts are for reference only. For actual lift duty please refer to load chart in operator's cabin or manual. Otherwise we recommend you to plan your lifting job using Crane Planner 2.0.



www.liebherr.com/CranePlanner

Crane Planner 2.0

Load capacities with luffing jib

Load capacities in 1000 lbs with 76 ft main boom 65°

Radius [ft]	Jib length [ft]					
	74	113	151	190	228	258
83.4	38.4					
85	37.6					
110	27.4	26.6				
130		21.6	20.7			
150		17.9	17.1	16.1		
175			13.8	12.9	10.5	
190				11.4	10.0	5.8
205				10.1	9.2	5.5
220				8.9	8.1	5.3
240					6.9	5.0
260					5.8	4.8
285						4.0

115,300 lbs rear counterweight and 44,100 lbs carbody counterweight

Load capacities in 1000 lbs with 115 ft main boom 65°

Radius [ft]	Jib length [ft]					
	74	113	151	190	228	258
100.1	28.0					
125	21.2	20.3				
145		16.7	15.7			
155		15.3	14.4			
170			12.6	11.6		
190			10.6	9.7	8.8	
210				8.2	7.3	5.4
240				6.4	5.5	4.7
245					5.2	4.4
275					3.9	3.2
290						2.6
305						2.1

115,300 lbs rear counterweight and 44,100 lbs carbody counterweight

Load capacities in 1000 lbs with 134 ft main boom 65°

Radius [ft]	Jib length [ft]					
	74	113	151	190	228	258
108,4	23.8					
135	18.0	17.1				
155		14.2	13.2			
175		11.3	11.1	10.0		
200			9.0	8.0	7.0	
210			8.2	7.3	6.3	
215				7.0	6.0	4.8
230				6.2	5.2	4.0
245				5.4	4.5	3.3
265					3.6	2.5
280					3.1	2.0
285					2.9	

115,300 lbs rear counterweight and 44,100 lbs carbody counterweight

Load capacities in 1000 lbs with 154 ft main boom 65°

Radius [ft]	Jib length [ft]					
	74	113	151	190	219	248
116,7	20.2					
140	16.0	15.0				
150		13.7				
160		12.5				
170		11.4	10.4			
185			9.1	8.1		
200			8.0	7.0	5.8	
220			6.7	5.8	4.7	3.6
240				4.8	3.8	2.7
255				4.2	3.2	2.2
270					2.7	
285					2.3	

115,300 lbs rear counterweight and 44,100 lbs carbody counterweight

Load capacities in 1000 lbs with 164 ft main boom 65°

Radius [ft]	Jib length [ft]					
	74	84	104	123	142	161
125	17.0					
135	15.4	15.1				
145	14.0	13.7	13.2			
155		12.5	12.0	11.5		
165			10.9	10.5	9.9	
175			10.0	9.6	9.0	8.5
185				8.8	8.2	7.8
195				8.0	7.5	7.1
205					6.9	6.4
215					6.3	5.9
225						5.4
235						4.9

115,300 lbs rear counterweight and 44,100 lbs carbody counterweight

TLT 11962420. Above load charts are for reference only. For actual lift duty please refer to load chart in operator's cabin or manual. Otherwise we recommend you to plan your lifting job using Crane Planner 2.0.

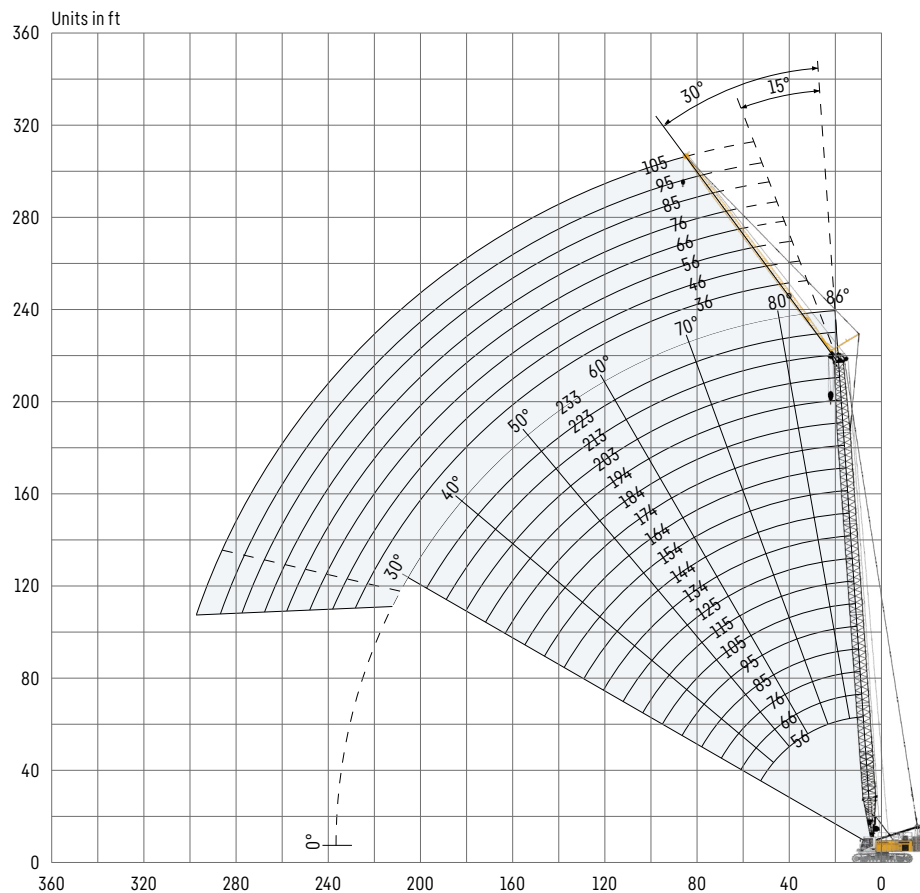


www.liebherr.com/CranePlanner

Crane Planner 2.0

Fixed jib 0806.xx

Jib lengths 36-105 ft



Jib configuration 0806.xx

Jib section	Amount of jib sections							
Jib foot 18 ft	1	1	1	1	1	1	1	1
Jib section 10 ft		1		1		1		1
Jib section 20 ft			1	1	2	2	3	3
Jib head 18 ft	1	1	1	1	1	1	1	1
Jib length [ft]	36	46	56	66	76	85	95	105

Actual lengths of boom sections are metric (e.g. 3 m, 6 m). The figures shown above are approximate conversions to feet. For main boom configuration please refer to the table on page 16.

Load capacities with fixed jib 15°

Load capacities in 1000 lbs with 85 ft main boom

Radius [ft]	Jib length [ft]			
	36	66	85	105
19	51.6			
40	47.5	22.8	16.6	
50	43.3	21.6	15.6	11.4
85	30.9	18.3	13.1	9.4
100	27.0	17.0	12.4	8.8
115	25.3	16.0	11.8	8.2
120		15.7	11.7	8.0
140		14.6	11.1	7.4
150			11.0	7.2
155			10.9	7.1
170				7.0
185				6.5

115,300 lbs rear counterweight and 44,100 lbs carbody counterweight

Load capacities in 1000 lbs with 115 ft main boom

Radius [ft]	Jib length [ft]			
	36	66	85	105
20	49.9			
30	48.6			
40	46.0	23.0		
60	38.9	21.1	15.0	10.8
65	37.6	20.7	14.6	10.6
80	33.1	19.4	13.8	9.9
105	27.4	17.5	12.7	8.8
140	18.6	14.7	11.3	7.9
165		13.6	10.4	7.3
180			9.9	7.1
190			9.7	7.1
210				7.0

115,300 lbs rear counterweight and 44,100 lbs carbody counterweight

Load capacities in 1000 lbs with 144 ft main boom

Radius [ft]	Jib length [ft]			
	36	66	85	105
21.1	46.5			
30	43.6			
40	39.5	23.0		
50	34.9	22.1	15.3	10.9
80	25.1	19.7	13.7	9.8
105	19.9	18.2	12.7	8.9
130	16.6	16.8	11.9	8.3
145	14.2	15.3	11.5	7.9
165	10.0	13.7	10.7	7.6
195		8.6	8.9	7.1
215			7.2	6.6
235				6.1

115,300 lbs rear counterweight and 44,100 lbs carbody counterweight

Load capacities in 1000 lbs with 194 ft main boom

Radius [ft]	Jib length [ft]			
	36	66	85	105
22.8	35.9			
40	31.6	20.0		
50	29.2	19.7	12.9	
55	28.3	19.6	12.7	9.1
80	24.4	18.9	12.2	8.7
105	18.3	16.9	11.7	8.4
130	11.2	13.2	11.2	8.0
165	6.3	8.3	9.5	7.5
200	2.0	4.5	5.8	5.9
220		2.4	4.1	4.5
240			2.2	3.2
255				2.1

115,300 lbs rear counterweight and 44,100 lbs carbody counterweight

Load capacities in 1000 lbs with 223 ft main boom

Radius [ft]	Jib length [ft]			
	36	46	56	98
23.8	30.1			
30	29.2	25.1		
40	26.6	24.7	19.5	
50	24.6	23.4	19.2	13.4
80	18.6	18.7	18.5	13.0
105	14.8	15.4	15.4	12.7
130	7.9	9.5	10.8	12.4
155	4.0	4.7	5.6	7.2
175	2.1	2.6	3.2	4.1
180		2.2	2.7	3.6
185			2.3	3.2
200				2.1

115,300 lbs rear counterweight and 44,100 lbs carbody counterweight

TLT 11962420. Above load charts are for reference only. For actual lift duty please refer to load chart in operator's cabin or manual. Otherwise we recommend you to plan your lifting job using Crane Planner 2.0.



www.liebherr.com/CranePlanner

Crane Planner 2.0

Load capacities with fixed jib 30°

Load capacities in 1000 lbs with 85 ft main boom

Radius [ft]	Jib length [ft]			
	36	66	85	105
27.3	44.4			
50	37.0	19.2		
60	34.2	18.3	13.6	
75	30.9	17.3	12.9	9.0
90	26.9	16.9	12.3	8.5
105	24.4	15.9	11.9	8.0
115	24.2	15.1	11.6	7.7
130		14.4	11.3	7.4
145		14.1	11.0	7.1
160			10.8	7.0
165			10.7	6.9
185				6.9

115,300 lbs rear counterweight and 44,100 lbs carbody counterweight

Load capacities in 1000 lbs with 115 ft main boom

Radius [ft]	Jib length [ft]			
	36	66	85	105
28.3	41.0			
50	34.6	19.3		
60	32.4	18.6	13.6	
75	29.7	17.7	13.0	9.1
85	28.2	17.1	12.7	8.8
100	26.1	16.3	12.3	8.4
115	23.6	15.5	11.9	8.0
125	21.8	15.0	11.6	7.8
140	18.4	13.6	11.3	7.5
170		12.8	9.7	7.2
190			9.6	7.1
210				7.1

115,300 lbs rear counterweight and 44,100 lbs carbody counterweight

Load capacities in 1000 lbs with 144 ft main boom

Radius [ft]	Jib length [ft]			
	36	66	85	105
29.3	37.9			
50	33.5	19.1		
65	30.5	18.2	13.2	
75	27.9	17.7	12.8	8.9
95	22.9	16.5	12.3	8.4
105	20.7	15.9	12.0	8.2
120	18.2	15.1	11.7	8.0
145	14.4	13.9	10.9	7.6
165	10.1	12.6	10.2	7.3
195		8.6	8.8	7.1
215			7.3	6.9
235				6.3

115,300 lbs rear counterweight and 44,100 lbs carbody counterweight

Load capacities in 1000 lbs with 194 ft main boom

Radius [ft]	Jib length [ft]			
	36	66	85	105
31	33.0			
50	29.7	18.1		
65	26.8	17.0	12.0	
75	25.2	16.3	11.9	8.4
90	22.6	15.2	11.6	8.2
110	17.8	14.0	10.9	7.9
165	6.7	9.4	8.9	7.2
180	5.0	7.5	8.6	6.9
200	2.4	5.5	6.4	6.6
225		2.5	4.2	4.9
245			2.1	3.8
260				2.4

115,300 lbs rear counterweight and 44,100 lbs carbody counterweight

Load capacities in 1000 lbs with 223 ft main boom

Radius [ft]	Jib length [ft]			
	36	46	66	75
32.1	28.5			
40	27.5	24.1		
55	24.3	22.5	16.4	
60	23.3	21.9	16.3	13.1
100	15.6	16.4	13.9	12.2
140	6.8	8.5	11.3	10.6
180	2.1	2.7	3.8	4.5
185		2.2	3.3	3.9
190			2.9	3.4
195			2.5	3.0
200			2.1	2.6
205				2.3

115,300 lbs rear counterweight and 44,100 lbs carbody counterweight

TLT 11962420. Above load charts are for reference only. For actual lift duty please refer to load chart in operator's cabin or manual. Otherwise we recommend you to plan your lifting job using Crane Planner 2.0.



www.liebherr.com/CranePlanner

Crane Planner 2.0



Download datasheet



Please contact us.

Liebherr-Werk Nenzing GmbH · Dr. Hans Liebherr Str. 1 · 6710 Nenzing, Austria
Phone +43 50809 41-473 · crawler.crane@liebherr.com · www.liebherr.com
facebook.com/LiebherrConstruction

Liebherr USA, Co. · 7075 Bennington Street · Houston, TX 77028-5812
Phone (713) 636-4050 · crawler.cranes.usa@liebherr.com · www.liebherr.com
facebook.com/LiebherrConstruction